



Construction

Vertical multi-stage close coupled pumps in **chrome-nickel stainless steel, with motor shields in brass.** Suction connection on the lower casing and delivery connection on the top casing. Motor cooled by the pumped water passing between the motor jacket and the external jacket. Double mechanical shaft seal with interposed oil chamber.

Applications

For clean water without abrasives or additives aggressive for the materials of the pump.
 For domestic, civil and industrial applications.
 For installation in confined space with minimum ventilation.
 For installation in locations subject to risk of temporary flooding.
 For installation in areas exposed to water jetting.
 When low-noise operation is required.

Operating conditions

Water temperature up to 35 °C.
 Maximum permissible pressure in the pump casing: 10 bar.
 Continuous duty.

Motor

2-pole induction motor, 60 Hz (n = 3450 rpm).
MXSU : three-phase 220 V;
 three-phase 380 V.
MXSUM: single-phase 220 V, with thermal protector.
Control box with capacitor, on request (only for 220 V).
 Cable: H07RN-F, 4 G 1 mm², length 2 m.
 Insulation class F.
 Protection IP 68.
 Triple impregnation humidity-proof dry winding.
 Constructed in accordance with: IEC 335-2-41, EN 60335-2-41.

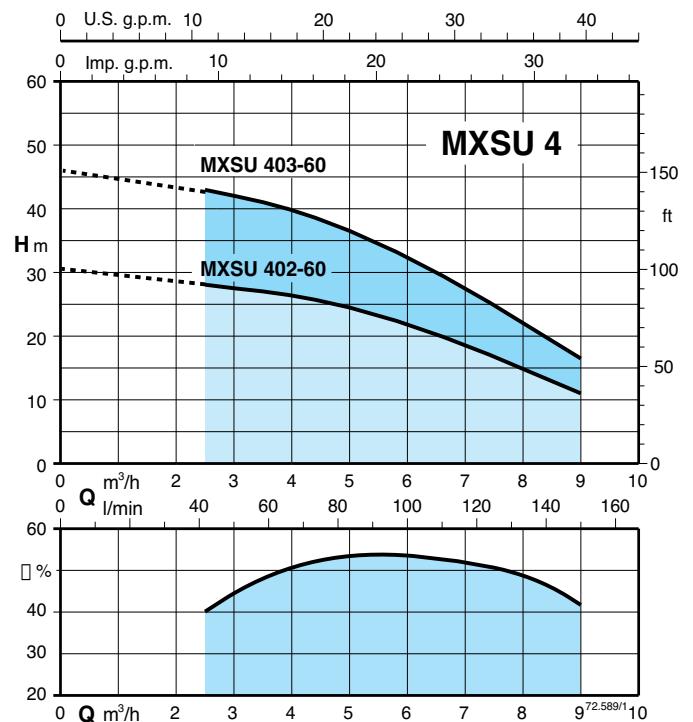
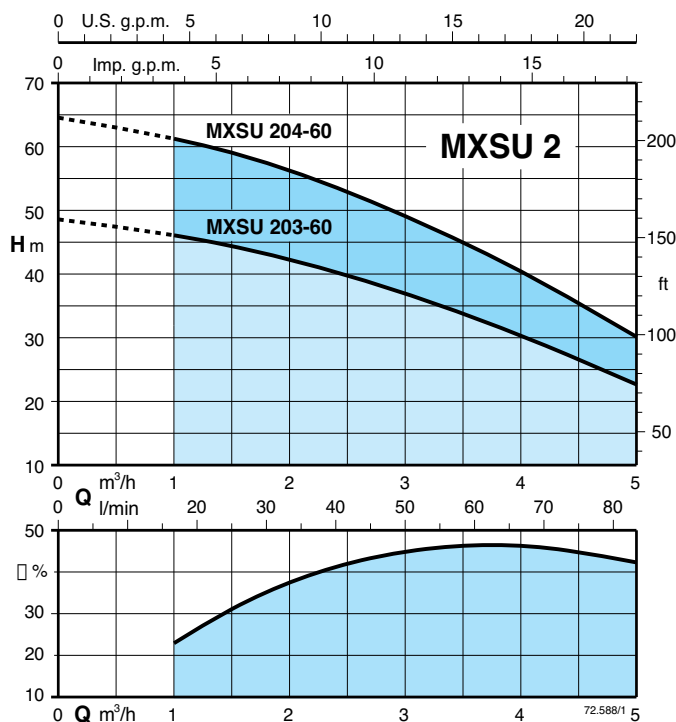
Materials

Components	Material
External jacket Suction casing Stage casing Impeller Oil chamber cover Spacer sleeve Motor jacket	Chrome-nickel steel AISI 304
Shaft	Chrome-nickel steel AISI 303
Motor shield	Brass P- Cu Zn 40 Pb 2 UNI 5705
Elbow	Brass P- Cu Zn 40 Pb 2 UNI 5705 nickel-plated
Upper mechanical seal	Steatite, carbon, NBR
Lower mechanical seal	Ceramic alumina, silicon carbide, NBR
Seal lubrication oil	Oil for food machinery and pharmaceutical use

Special features on request

- Other voltages.
- Motor suitable for operation with frequency converter.

Coverage chart n = 3450 rpm



Performance n ≈ 3450 rpm

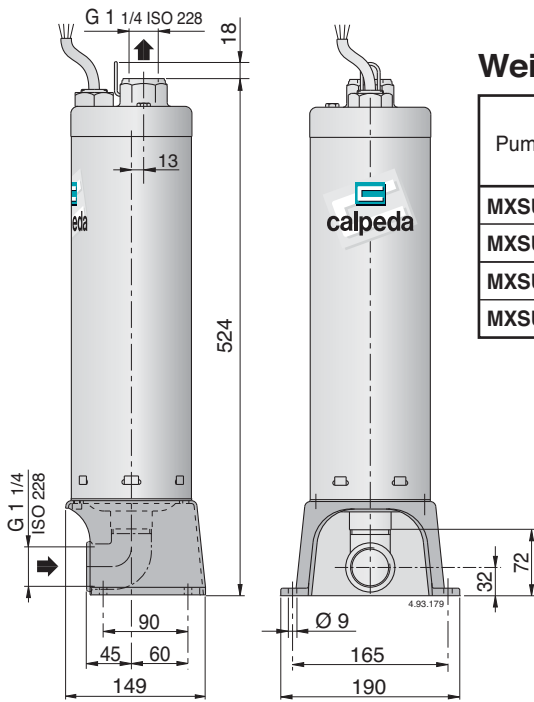
3 ~ 220 V 380 V			1 ~ 220 V Capacitor				P ₂		Q												
A	A	IA/IN	A	μF	V	IA/IN	kW	HP		m ³ /h	0	1	1,5	2	2,5	3	3,5	4	4,5	5	
MXSU 203-60/A	4,1	2,4	3,2	MXSUM 203-60/A	6,5	20	450	3,3	0,75	1	H _m	48,5	46	44,3	42	39,5	36,8	33,8	30,2	26,5	22,5
MXSU 204-60/A	4,8	2,8	3,75	MXSUM 204-60/A	7	25	450	3,3	0,9	1,2		64,5	61	59	56	52,7	49	45	40,3	35,3	30

3 ~ 220 V 380 V			1 ~ 220 V Capacitor				P ₂		Q												
A	A	IA/IN	A	μF	V	IA/IN	kW	HP		m ³ /h	0	2,5	3	3,5	4	5	6	7	8	9	
MXSU 402-60/A	4,8	2,8	3,75	MXSUM 402-60/A	7	25	450	3,3	0,9	1,2	H _m	30,5	28	27,5	27	26	24	21	18	14,5	11
MXSU 403-60/A	5,6	3,2	3,2	MXSUM 403-60/A	7	25	450	3,3	1,1	1,5		46	42,5	41,5	40,5	39	36	32	27,5	22	16,5

P₂ Rated motor power output.
IA/IN = D.O.L. starting current / Rated current

Test results with clean cold water, without gas content.
Tolerances according to UNI EN ISO 9906:2012.

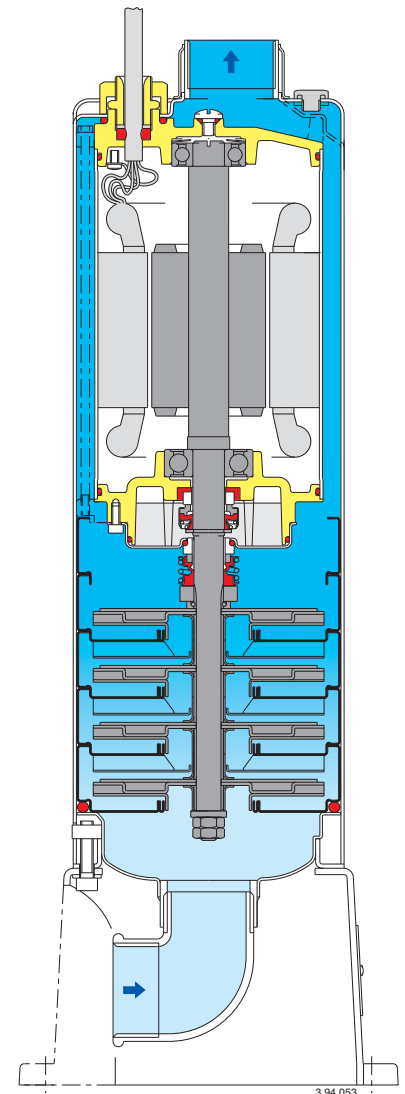
Dimensions and weights



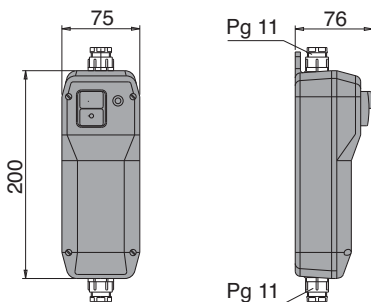
Weights

Pump	kg	
	MXSU	MXSUM
MXSU(M) 203-60/A	10.4	12.4
MXSU(M) 204-60/A	12.1	13.9
MXSU(M) 402-60/A	11.1	12.9
MXSU(M) 403-60/A	11.7	13.4

Features



Control box for single-phase pumps (on request)



Pump	Control box pump	Capacitor with 450 Vc
MXSUM 203-60/A	QM 11	20 μF
MXSUM 204-60/A	QM 12	25 μF
MXSUM 402-60/A		
MXSUM 403-60/A		

Weights kg 0,4