



### Construction

Single-impeller submersible pumps in chrome-nickel stainless steel, with vertical delivery port and suction non-return valve. Suction capability up to 1 mm from the bottom. Motor cooled by the pumped water passing between the motor jacket and the external jacket. Double shaft seal with oil chamber. The pump is fitted with a suction non-return valve which, during operation, allows to manually move the pump to several points in the room and draw water up to 1 mm avoiding that the pump loses its priming.

### Applications

For clean water containing solids up to 3 mm grain size. For draining rooms or emptying tanks. Extraction of water from ponds, streams or pits and for rainwater collection. For irrigation purposes.

### Operating conditions

Liquid temperature up to 35° C.  
Maximum immersion depth: 5 m.  
Minimum water level 1 mm.  
Continuous duty.

### Motor

2-pole induction motor, 50 Hz ( $n \approx 2900$  rpm).  
**GX ZERO:** three-phase 230 V  $\pm 10\%$ ; three-phase 400 V  $\pm 10\%$ ; Cable: H05RN-F, 4G0,75 mm<sup>2</sup>, length 10 m, without plug.  
**GXM ZERO:** single-phase 230 V, with thermal protector. Incorporated capacitor. Cable: H05RN-F, 3G0,75 mm<sup>2</sup>, length 10 m, with plug CEI-UNEL 47166.

Insulation class F.  
Protection IP X8 (for continuous immersion)  
Double impregnation humidity-proof dry winding.  
Constructed in accordance with: EN 60335-2-41.

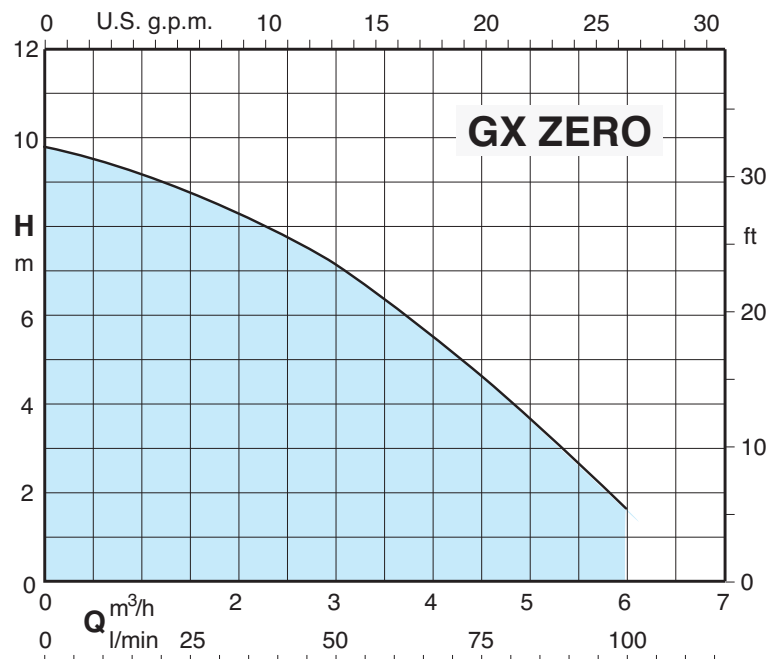
### Other features on request

- Other voltages.
- Frequency 60 Hz.
- Other mechanical seal.
- Motor suitable for operation with frequency converter.

### Materials

Component	Material
Pump casing	PA66-50FV (Noryl)
Impeller	PPO-GF20 (Noryl)
Valve	NBR / Chrome-nickel steel AISI 304
Motor jacket Pump jacket	Chrome-nickel steel 1.4301 EN 10088 (AISI 304)
Strainer Handle	Polypropylene
Shaft	Chrome-nickel steel 1.4305 EN 10088 (AISI 303)
Mechanical seal	Ceramic alumina/Carbon/NBR
Seal lubrication oil	Oil for food/pharmaceutical machinery

### Characteristic curves $n \approx 2900$ rpm



### Performance $n \approx 2900$ rpm

3~	230V 400V		1~	230V	Capacitor		P <sub>1</sub>	P <sub>2</sub>		Q	H m					
	A	A			A	μf		Vc	kW		kW	HP	0	1,2	2,25	3
<b>GX ZERO</b>	1,6	0,9	<b>GXM ZERO</b>	2,5	8	450	0,5	0,25	0,33	<b>H m</b>	9,8	9	8,1	7,1	4,5	1,6

P<sub>1</sub> Max. power input.

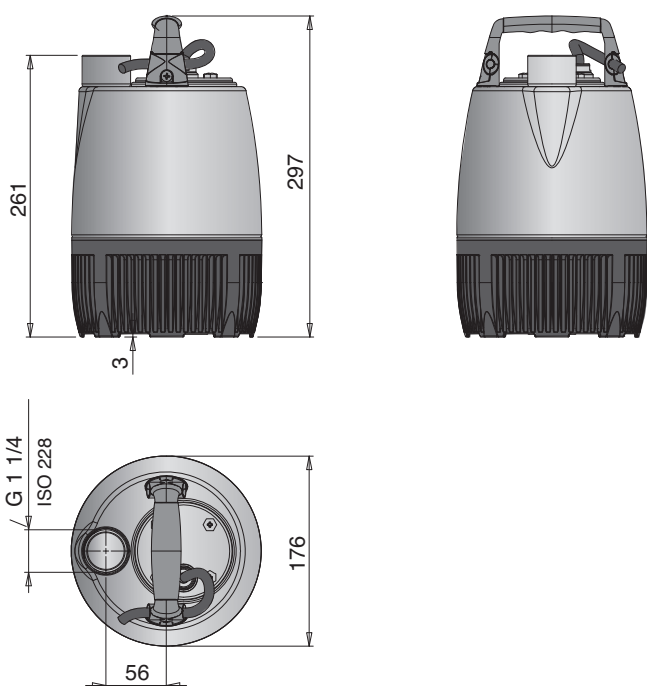
P<sub>2</sub> Rated motor power output.

Density  $\rho = 1000$  kg/m<sup>3</sup>.

Kinematic viscosity  $\nu = \max 20$  mm<sup>2</sup>/sec.

Tolerances according to UNI EN ISO 9906:2012

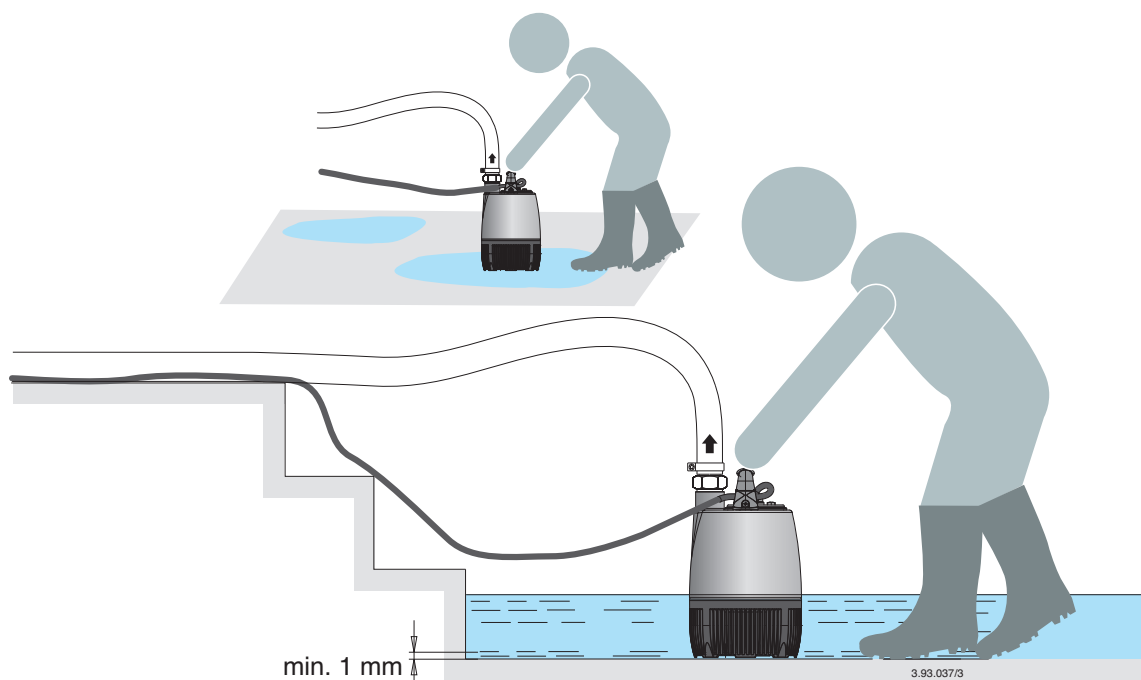
### Dimensions and weights



TYPE	Dimensions mm		(1) kg	
	fM	a	GX	GXM
<b>GX ZERO - GXM ZERO</b>	297	261	5	5,2

(1) With cable length: 10 m

### Installation examples



3 93 037/3